

HF1900-7

INSTALLATION SHEET

START FROM HERE

Make sure power is completely off at the time box
 Have you fixture installed by a qualified licensed electrician
 Prepare everything in a clear area
 Wear gloves at all times during this installation
 Read instructions carefully before you start assembly
 Keep this instruction sheet for future reference

Please Note:

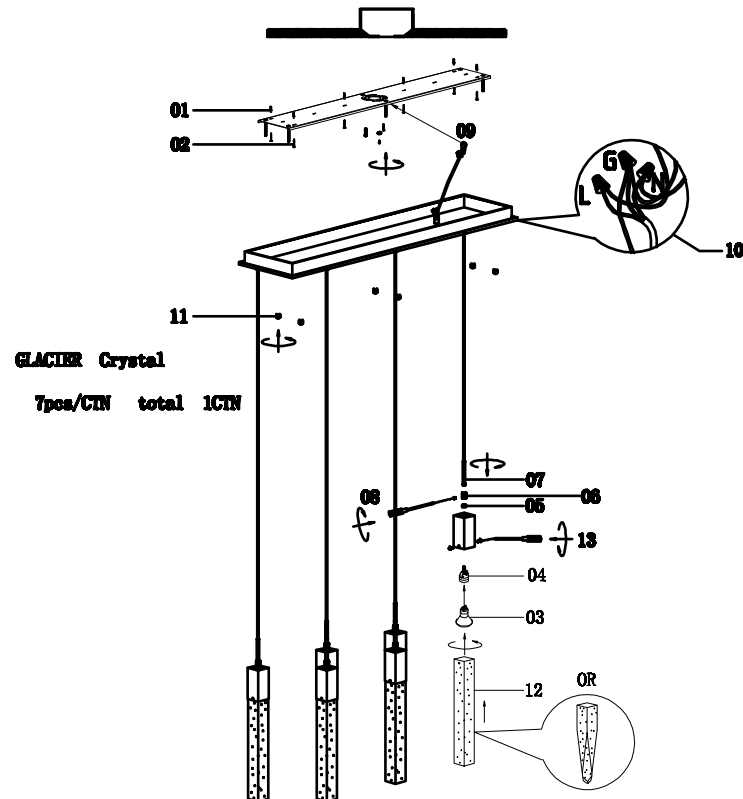
All AVE LED fixtures come with pre-wired LED modules
 Unless instructed to do so, please do not touch any part of the LED module as any
 unnecessary contact with the module could cause permanent damage
 For dimming, an ELV (Electronic Low Voltage) type of dimmer is required

Technical Support: 8188289148

Specification of installation

In order to ensure safety use, please notice the following items:

- Read and understand the whole Specification.
- Suitable for the use of 110-130V and 60Hz.
- Please wear gloves as installment and avoid not on the surface of plating.
- Must be installed on the fixed places and be checked annually.
- Please turn off the lighting source by soft cloth as cleaning prohibited to use of rotted detergent.
- Please connect with the local sales service center when there are any abnormality.



AVE LIGHTING

9000 Fullbright Ave. Chatsworth Ca. 91311
 C: (818) 626-8149 ; (800) 788-0409 F: (888) 870-0105
 W: WWW.AVENUELIGHTING.COM